

Solving One Step Equations

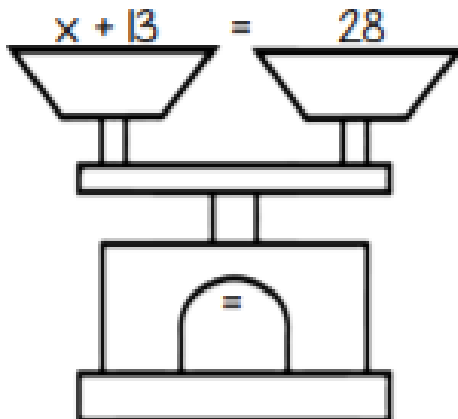
Name: _____

Date: _____ Pd _____

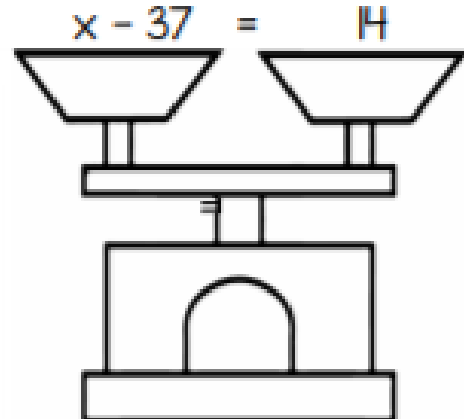
Form A

Directions: Solve the equation. Keep the scale **balanced** by doing the **SAME** operation on **both** sides of the equation. The first one has been done for you as an example.

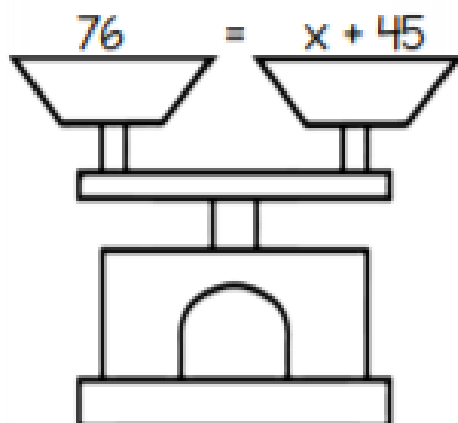
7.



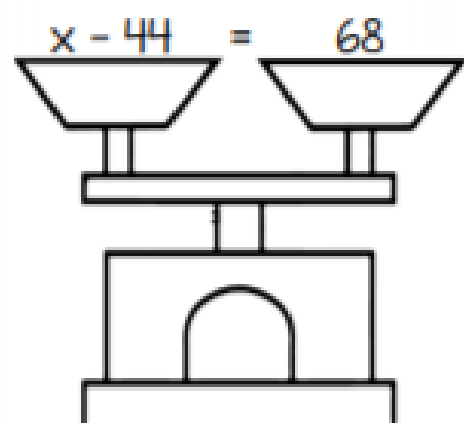
8.



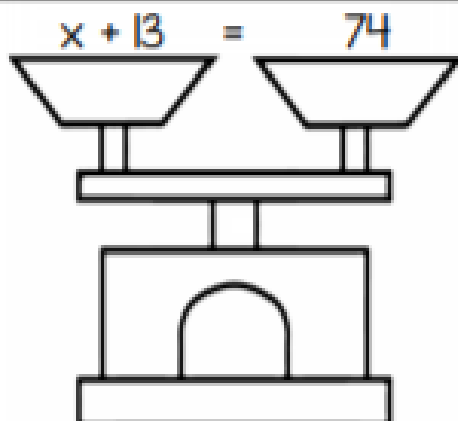
9.



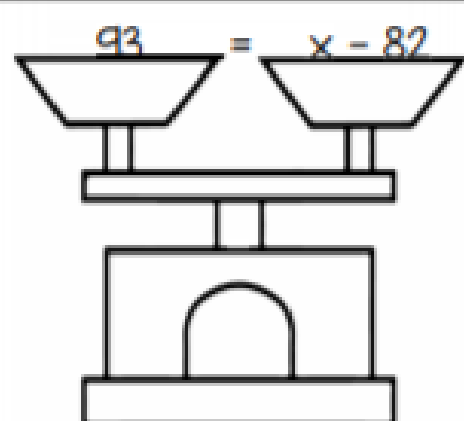
10.



11.



12.



Solving One Step Equations

Name: _____

Date: _____ Pd _____

Form A

Directions: Solve the equation. Keep the scale **balanced** by doing the **SAME** operation on **both** sides of the equation. The first one has been done for you as an example.

1. $x + 4 = 7$

x 3

2. $x - 6 = 47$

3. $23 = x + 9$

4. $x - 34 = 42$

5. $x + 15 = 32$

6. $67 = x - 19$